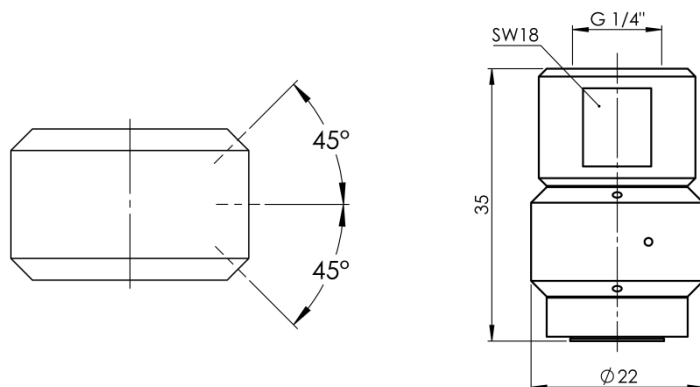




# ROTATING NOZZLE

This nozzle is used for cleaning small tanks, containers and tubes. Due to the water pressure, the nozzle rotates and cleans all over through the six nozzle outlets.

## STANDARD – SPRAY ANGLE AND DIMENSIONS



## CAPACITY CHART

Capacity in l/min of water, by following pressure					
1 bar	2 bar	3 bar	4 bar	6 bar	8 bar
3.5	5.5	6.8	7.7	9.8	11.5

## POSSIBLE APPLICATIONS

cooling/cleaning/washing of tubes, containers, small tanks

## AVAILABLE IN THE FOLLOWING MATERIALS

Body	1.4435
Nozzle	Brass

## FOR ORDERING WE NEED THE FOLLOWING INFORMATION

### Field of application

medium to spray (viscosity)  
 fitting position / spray distance nozzle - spray area  
 temperature range  
 frequency range

### Nozzle specification

desired spray angle  
 nozzle type  
 desired capacity (l/min, l/h)  
 operating pressure (bar)