



HOLLOW CONE NOZZLE HKI

The spray pattern of the nozzle enables uniform distribution of the spray medium in the outer area of a concial surface. Thanks to the particular spray geometry the nozzle is used where a medium is sprayed uniformly on an annular surface or where volatile medium, e.g. dust, has to be hold down.

STANDARD – SPRAY ANGLE

60°, 90°, 120°
other angles on request.



POSSIBLE APPLICATIONS

air – and gas washing
cleaning systems
tank cooling
foam control
dust control

steel production
food industry
chemistry
pharma
power technology

AVAILABLE IN THE FOLLOWING MATERIALS

Stainless Steel

1.4435 (X2 CrNiMo 18-14-3)

Plastics

PVC
PTFE with glass fibers
POM
PP

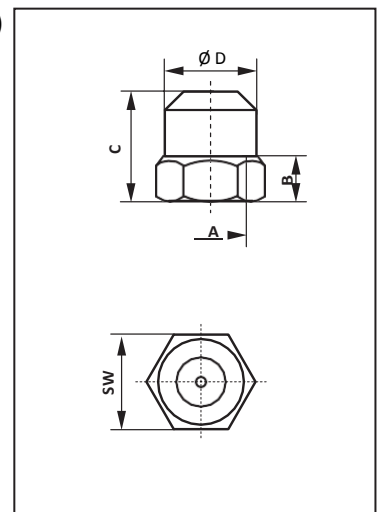
Non-ferrous material

brass

(polyvinyl chloride)
(polytetrafluorethylene)
(polyxymethylene)
(polypropylene)

DIMENSIONS

Type	A	C mm	Ø D mm	SW mm
HKI 01	R 1/8"	18.50	16.00	17
HKI 02	R 1/4"	26.00	19.00	20
HKI 03	R 3/8"	26.70	21.00	22
HKI 04	R 1/2"	35.00	26.00	27
HKI 05	R 3/4"	41.00	34.00	35
HKI 06	R 1"	53.00	39.00	40



Jato-Düsenbau AG

Täschmattstrasse 23, CH-6015 Luzern, Switzerland, Tel: +41 41 269 88 30 Fax: +41 41 269 88 31 www.jato.ch info@jato.ch

VER.03/16



HOLLOW CONE NOZZLE HKI

CAPACITY CHART OF HOLLOW CONE NOZZLE

Type	thread	capacities in l/min of water by following pressures						
		1 bar	2 bar	3 bar	4 bar (test pressure)	6 bar	8 bar	10 bar
HKI 01	R 1/8"			0.20	0.23	0.28	0.33	0.36
		0.27	0.38	0.47	0.54	0.66	0.76	0.85
		0.40	1.57	0.69	0.80	0.98	1.13	1.26
		0.60	0.85	1.04	1.20	1.47	1.70	1.90
		0.85	1.20	1.47	1.70	2.10	2.40	2.70
HKI 02	R 1/4"	1.20	1.70	2.10	2.40	2.95	3.40	3.80
		1.50	2.10	2.60	3.00	3.70	4.20	4.70
		1.80	2.55	3.20	3.60	4.40	5.10	5.70
		2.50	3.50	4.30	5.00	6.10	7.10	7.90
		4.00	5.70	6.90	8.00	9.80	11.30	12.60
HKI 03	R 3/8"	5.20	7.30	9.00	10.40	12.70	14.70	16.50
		7.00	9.90	12.10	14.00	17.20	19.80	22.00
		8.80	12.40	15.20	17.50	21.50	24.80	27.70
HKI 04	R 1/2"	11.50	16.30	19.90	23.00	28.20	32.50	36.40
		14.50	20.50	25.00	29.00	35.50	41.00	46.00
HKI 05	R 3/4"	23.50	33.30	41.00	47.00	58.00	66.50	74.00
		30.00	42.50	52.00	60.00	73.50	85.00	95.00
HKI 06	R 1"	40.00	56.50	69.50	80.00	98.00	113.00	127.00
		58.00	82.00	101.00	116.00	142.00	164.00	183.00

other capacities on request.

FOR ORDERING WE NEED FOLLOWING INFORMATION

Field of application

medium to spray (viscosity)
fitting position / spray distance nozzle – spray area
temperature range
frequency range

Nozzle specification

type of material
desired spray angle
nozzle type
connection thread
desired capacity (l/min, l/h)
operating pressure (bar)

Jato-Düsenbau AG

Täschmattstrasse 23, CH-6015 Luzern, Switzerland, Tel: +41 41 269 88 30 Fax: +41 41 269 88 31 www.jato.ch info@jato.ch

VER.03/16