



FULL- AND HOLLOW CONE NOZZLE LA

The full- and hollow cone nozzles are characterized by the short installation dimensions. The spraying of the medium results in a good distribution of droplets by respective spray pattern.

STANDARD – SPRAY ANGLE

60°, 90°, 120°

other angles on request.



AVAILABLE IN THE FOLLOWING MATERIALS

Stainless Steel

1.4435 (X2 CrNiMo 18-14-3)

other material on request.

Plastics

PTFE with glass fibers
PP

(polytetrafluorethylene)
(polypropylene)

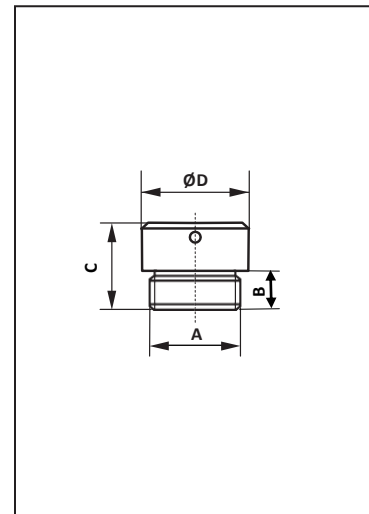
Non ferrous material

brass

DIMENSIONS

type	A mm	B mm	C mm	ØD mm
LAV/LAH 07	R 1 1/4"	19	34	50
LAV/LAH 08	R 1 1/2"	19	45	59
LAV/LAH 09	R 2"	24	59	69
LAV/LAH 10	R 2 1/2"	27	70	90
LAV/LAH 11	R 3"	30	80	99
LAV/LAH 12	R 3 1/2"	32	93	120
LAV/LAH 13	R 4"	36	124	130
LAV/LAH 14	R 5"	40	150	155
LAV/LAH 15	R 6"	40	162	180

tightened with a pin wrench





FULL- AND HOLLOW CONE NOZZLE LA

CAPACITY CHART OF FULL- AND HOLLOW CONE NOZZLE

capacities in l/min of water by following pressures

type	thread	1 bar	2 bar	3 bar	4 bar (Test pressure)	6 bar	8 bar	10 bar
LAV/LAH 07	R 1 1/4"	90	127	156	180	220	–	–
LAV/LAH 08	R 1 1/2"	110	156	191	220	269	–	–
LAV/LAH 09	R 2"	200	283	346	400	490	–	–
LAV/LAH 10	R 2 1/2"	330	467	572	660	808	–	–
LAV/LAH 11	R 3"	500	707	866	1000	1224	–	–
LAV/LAH 12	R 3 1/2"	600	849	1039	1200	1470	–	–
LAV/LAH 13	R 4"	825	1167	1429	1650	2020	–	–
LAV/LAH 14	R 5"	1100	1556	1905	2200	2694	–	–
LAV/LAH 15	R 6"	2000	2828	3464	4000	4899	–	–

from 4-5 bar on maximal angle 100°

other capacities and sizes on request.

FOR ORDERING WE NEED FOLLOWING INFORMATION

Field of application

medium to spray (viscosity)
fitting position / spray distance nozzle – spray area
temperature range
frequency range

Nozzle specification

type of material
desired spray angle
nozzle type
connection thread
desired capacity (l/min, l/h)
operating pressure (bar)

Jato-Düsenbau AG

Täschmattstrasse 23, CH-6015 Luzern, Switzerland, Tel: +41 41 269 88 30 Fax: +41 41 269 88 31 www.jato.ch info@jato.ch

VER.03/16