



FULL CONE NOZZLE LAV

FOR CONTINUOUS CASTING SYSTEMS

STANDARD – SPRAY ANGLE

60°, 65°, 80°, 90°

other angles on request



AVAILABLE IN THE FOLLOWING MATERIALS

Stainless Steel

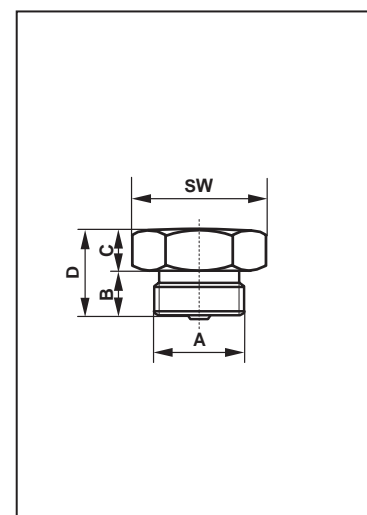
1.4435 (X2 CrNiMo 18-14-3)

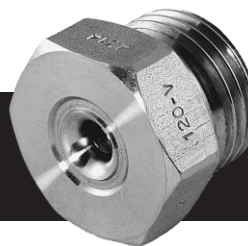
Non-ferrous metal

brass

other materials on request

DIMENSIONS					
type	A	B mm	C mm	D m	SW mm
LAV 02	R. 1/4"	9	7	16	17
LAV 03	R. 3/8"	8	8	16	22





FULL CONE NOZZLE LAV

FOR CONTINUOUS CASTING SYSTEMS

CAPACITY CHART OF FULL CONE NOZZLE LAV

capacities in l/min of water by following pressures

type	thread	size	angle	2.8 bar (test pressure)	4 bar	6 bar	8 bar	10 bar
LAV 02	R. 1/4"	2560 LAV	60°	2.50	3.00	3.65	4.20	4.70
		2760 LAV	60°	2.70	3.20	3.95	4.55	5.10
		3060 LAV	60°	3.00	3.60	4.40	5.10	5.65
		3560 LAV	60°	3.50	4.20	5.10	5.90	6.60
		5060 LAV	60°	5.00	6.00	7.30	8.45	9.45
		1565 LAV	65°	1.50	1.80	2.20	2.55	2.85
		2065 LAV	65°	2.00	2.40	2.90	3.40	3.75
		2565 LAV	65°	2.50	3.00	3.65	4.20	4.70
		3065 LAV	65°	3.00	3.60	4.40	5.10	5.65
		3565 LAV	65°	3.50	4.20	5.10	5.90	6.60
		4065 LAV	65°	4.00	4.80	5.85	6.75	7.55
		4565 LAV	65°	4.50	5.40	6.60	7.60	8.50
		5065 LAV	65°	5.00	6.00	7.30	8.45	9.45
		3080 LAV	80°	3.00	3.60	4.40	5.10	5.65
		3580 LAV	80°	3.50	4.20	5.10	5.90	6.60
		4080 LAV	80°	4.00	4.80	5.85	6.75	7.55
		4580 LAV	80°	4.50	5.40	6.60	7.60	8.50
		5080 LAV	80°	5.00	6.00	7.30	8.45	9.45
		2590 LAV	90°	2.50	3.00	3.65	4.20	4.70
		3090 LAV	90°	3.00	3.60	4.40	5.10	5.65
		3890 LAV	90°	3.80	4.50	5.60	6.40	7.20
		4690 LAV	90°	4.60	5.50	6.75	7.75	8.70

other capacities on request

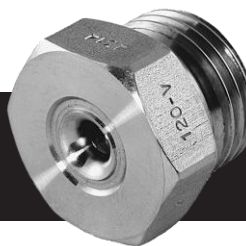
FOR ORDERING WE NEED FOLLOWING INFORMATION

Field of application

medium to spray (viscosity)
fitting position / spray distance nozzle – spray area
temperature range
frequency range

Nozzle specification

type of material
desired spray angle
nozzle type
connection thread
desired capacity (l/min, l/h)
operating pressure (bar)



FULL CONE NOZZLE LAV

FOR CONTINUOUS CASTING SYSTEMS

CAPACITY CHART OF FULL CONE NOZZLE LAV

capacities in l/min of water by following pressures

type	thread	size	angle	2.8 bar (test pressure)	4 bar	6 bar	8 bar	10 bar
LAV 03	R. 3/8"	2560 LAV	60°	2.50	3.00	3.65	4.20	4.70
		2760 LAV	60°	2.70	3.20	3.95	4.55	5.10
		3060 LAV	60°	3.00	3.60	4.40	5.10	5.65
		3560 LAV	60°	3.50	4.20	5.10	5.90	6.60
		5060 LAV	60°	5.00	6.00	7.30	8.45	9.45
		6360 LAV	60°	6.30	7.50	9.20	10.70	11.95
		1565 LAV	65°	1.50	1.80	2.20	2.55	2.85
		2065 LAV	65°	2.00	2.40	2.90	3.40	3.75
		2565 LAV	65°	2.50	3.00	3.65	4.20	4.70
		3065 LAV	65°	3.00	3.60	4.40	5.10	5.65
		3565 LAV	65°	3.50	4.20	5.10	5.90	6.60
		4065 LAV	65°	4.00	4.80	5.85	6.75	7.55
		4565 LAV	65°	4.50	5.40	6.60	7.60	8.50
		5065 LAV	65°	5.00	6.00	7.30	8.45	9.45
5565 LAV	65°	5.50	6.60	8.05	9.30	10.40		
6065 LAV	65°	6.00	7.20	8.80	10.15	11.35		
6565 LAV	65°	6.50	7.80	9.50	11.00	12.30		
7065 LAV	65°	7.00	8.35	10.25	11.85	13.20		
7565 LAV	65°	7.50	8.95	10.95	12.65	14.15		
8065 LAV	65°	8.00	9.60	11.70	13.50	15.10		
8565 LAV	65°	8.50	10.15	12.40	14.35	16.05		
9565 LAV	65°	9.50	11.35	13.90	16.05	17.95		
10065 LAV	65°	10.00	11.95	14.60	16.90	18.90		
3080 LAV	80°	3.00	3.60	4.40	5.10	5.65		
3580 LAV	80°	3.50	4.20	5.10	5.90	6.60		
4080 LAV	80°	4.00	4.80	5.85	6.75	7.55		
4580 LAV	80°	4.50	5.40	6.60	7.60	8.50		
5080 LAV	80°	5.00	6.00	7.30	8.45	9.45		
6080 LAV	80°	6.00	7.20	8.80	10.15	11.35		
8080 LAV	80°	8.00	9.60	11.70	13.50	15.10		
8580 LAV	80°	8.50	10.15	12.40	14.35	16.05		
10280 LAV	80°	10.20	12.20	14.90	17.25	19.25		

other capacities on request

FOR ORDERING WE NEED FOLLOWING INFORMATION

Field of application

medium to spray (viscosity)
fitting position / spray distance nozzle – spray area
temperature range
frequency range

Nozzle specification

type of material
desired spray angle
nozzle type
connection thread
desired capacity (l/min, l/h)
operating pressure (bar)



FULL CONE NOZZLE LAV

FOR CONTINUOUS CASTING SYSTEMS

CAPACITY CHART OF FULL CONE NOZZLE LAV

capacities in l/min of water by following pressures

type	thread	size	angle	2.8 bar (standard)	4 bar	6 bar	8 bar	10 bar
LAV 03	R. 3/8"	2590 LAV	90°	2.50	3.00	3.65	4.20	4.70
		3090 LAV	90°	3.00	3.60	4.40	5.10	5.65
		3890 LAV	90°	3.80	4.50	5.60	6.40	7.20
		4690 LAV	90°	4.60	5.50	6.75	7.75	8.70
		6090 LAV	90°	6.00	7.20	8.80	10.15	11.35
		6590 LAV	90°	6.50	7.80	9.50	11.00	12.30
		7490 LAV	90°	7.40	8.85	10.85	12.50	14.00
		10090 LAV	90°	10.00	11.95	14.60	16.90	18.90

other capacities on request

FOR ORDERING WE NEED FOLLOWING INFORMATION

Field of application

medium to spray (viscosity)
fitting position / spray distance nozzle – spray area
temperature range
frequency range

Nozzle specification

type of material
desired spray angle
nozzle type
connection thread
desired capacity (l/min, l/h)
operating pressure (bar)