



## FLAT SPRAY NOZZLE F

With the flat spray nozzle F, uniform liquid distribution is achieved over an area. The flat spray nozzle finds its application wherever a strong spray is required. It is universally suitable for a variety of applications. Its spray pattern is characterized by a linear, narrow rectangular shape. In comparison to the FE model, the stream direction in the spray axis can be re-adjusted at any time without much effort. A change in capacity can be gained by simple replacement of the nozzle insert.

### STANDARD – SPRAY ANGLE

60°, 90°, 120°  
other angles on request



### POSSIBLE APPLICATIONS

spraying and cleaning on moving parts  
cleaning systems  
dust control  
sprinkler systems  
test facilities  
washing systems

### FIELD OF APPLICATION

steel production  
food industry  
chemistry  
pharma  
petrochemistry  
energy technology

### AVAILABLE IN THE FOLLOWING MATERIALS

#### Stainless Steel

1.4305 (X8 CrNiS 18-9)  
1.4435 (X2 CrNiMo 18-14-3)

#### Plastics

PVC  
PTFE with glass fibers  
POM  
PP

(polyvinyl chloride)  
(polytetrafluorethylene)  
(polyoxymethylene)  
(polypropylene)

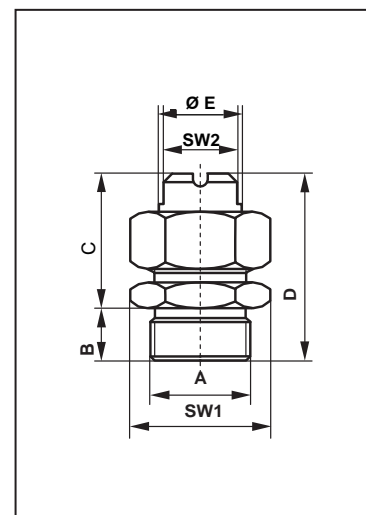
#### Non-ferrous material

brass

other material on request

### DIMENSIONS

Type	A	B	C	D	Ø E	SW1	SW2
		mm	mm	mm	mm	mm	mm
F 02	R1/4"	9	25.5	34.5	12.5	22	10
F 03	R3/8"	10	25.5	35.5	12.5	22	10
F 04	R1/2"	13	32.5	45.5	16	27	14
F 05	R3/4"	15	36.5	51.5	20	35/36	17
F 06	R1"	17	44.5	61.5	26.5	40/41	24



### Jato-Düsenbau AG

Täschmattstrasse 23, CH-6015 Luzern, Switzerland, Tel: +41 41 269 88 30 Fax: +41 41 269 88 31 www.jato.ch info@jato.ch

VER.03/16



# FLAT SPRAY NOZZLE F

## CAPACITY CHART OF FLAT SPRAY NOZZLE TYPE F

capacities in l/min of water by following pressures

type	thread	1 bar	2 bar	3 bar	4 bar (Test pressure)	6 bar	8 bar	10 bar
F 02	R1/4"			0.20	0.23	0.28	0.33	0.36
		0.27	0.38	0.47	0.54	0.66	0.76	0.85
		0.40	0.57	0.69	0.80	0.98	1.13	1.26
		0.60	0.85	1.04	1.20	1.47	1.70	1.90
		0.85	1.20	1.47	1.70	2.10	2.40	2.70
		1.20	1.70	2.10	2.40	2.95	3.40	3.80
		1.50	2.10	2.60	3.00	3.70	4.20	4.70
		1.80	2.55	3.20	3.60	4.40	5.10	5.70
		2.50	3.50	4.30	5.00	6.10	7.10	7.90
		4.00	5.70	6.90	8.00	9.80	11.30	12.60
		5.20	7.30	9.00	10.40	12.70	14.70	16.50
6.30	8.80	10.80	12.50	15.30	17.70	19.80		
F 03	R3/8"			0.20	0.23	0.28	0.33	0.36
		0.27	0.38	0.47	0.54	0.66	0.76	0.85
		0.40	0.57	0.69	0.80	0.98	1.13	1.26
		0.60	0.85	1.04	1.20	1.47	1.70	1.90
		0.85	1.20	1.47	1.70	2.10	2.40	2.70
		1.20	1.70	2.10	2.40	2.95	3.40	3.80
		1.50	2.10	2.60	3.00	3.70	4.20	4.70
		1.80	2.55	3.20	3.60	4.40	5.10	5.70
		2.50	3.50	4.30	5.00	6.10	7.10	7.90
		4.00	5.70	6.90	8.00	9.80	11.30	12.60
		5.20	7.30	9.00	10.40	12.70	14.70	16.50
		6.30	8.80	10.80	12.50	15.30	17.70	19.80
		7.00	9.90	12.10	14.00	17.20	19.80	22.00
		8.80	12.40	15.20	17.50	21.50	24.80	27.70
		10.00	14.10	17.30	20.00	24.50	28.30	31.60
11.50	16.30	19.90	23.00	28.20	32.50	36.40		

other capacities on request

## FOR ORDERING WE NEED FOLLOWING INFORMATIONS

### Field of application

medium to spray (viscosity)  
 fitting position / spray distance nozzle – spray area  
 temperature range  
 frequency range

### Nozzle specification

type of material  
 desired spray angle  
 nozzle type  
 connection thread  
 desired capacity (l/min, l/h)  
 operating pressure (bar)

Jato-Düsenbau AG

Täschmattstrasse 23, CH-6015 Luzern, Switzerland, Tel: +41 41 269 88 30 Fax: +41 41 269 88 31 www.jato.ch info@jato.ch

VER.03/16



## FLAT SPRAY NOZZLE F

### CAPACITY CHART OF FLAT SPRAY NOZZLE TYPE F

capacities in l/min of water by following pressures								
type	thread	1bar	2bar	3bar	4 bar (Test pressure)	6bar	8bar	10 bar
F 04	R1/2"	7.00	9.90	12.10	14.00	17.20	19.80	22.00
		8.80	12.40	15.20	17.50	21.50	24.80	27.70
		10.00	14.10	17.30	20.00	24.50	28.30	31.60
		11.50	16.30	19.90	23.00	28.20	32.50	36.40
		14.50	20.50	25.00	29.00	35.50	41.00	46.00
		18.50	26.20	32.00	37.00	45.30	52.50	58.50
		23.50	33.30	41.00	47.00	58.00	66.50	74.00
F 05	R3/4"	11.50	16.30	19.90	23.00	28.20	32.50	36.40
		14.50	20.50	25.00	29.00	35.50	41.00	46.00
		18.50	26.20	32.00	37.00	45.30	52.50	58.50
		23.50	33.30	41.00	47.00	58.00	66.50	74.00
		30.00	42.50	52.00	60.00	73.50	85.00	95.00
		35.00	49.50	60.50	70.00	85.50	99.00	111.00
		40.00	56.50	69.50	80.00	98.00	113.00	127.00
F 06	R1"	11.50	16.30	19.90	23.00	28.20	32.50	36.40
		14.50	20.50	25.00	29.00	35.50	41.00	46.00
		18.50	26.20	32.00	37.00	45.30	52.50	58.50
		23.50	33.30	41.00	47.00	58.00	66.50	74.00
		30.00	42.50	52.00	60.00	73.50	85.00	95.00
		35.00	49.50	60.50	70.00	85.50	99.00	111.00
		40.00	56.50	69.50	80.00	98.00	113.00	127.00
		58.00	82.00	101.00	116.00	142.00	164.00	183.00
	75.00	106.00	130.00	150.00	184.00	212.00	237.00	

other capacities on request

### FOR ORDERING WE NEED FOLLOWING INFORMATIONS

#### Field of application

medium to spray (viscosity)  
 fitting position/spray distance nozzle – spray area  
 temperature range  
 frequency range

#### Nozzle specification

type of material  
 desired spray angle  
 nozzle type  
 connection thread  
 desired capacity (l/min; l/h)  
 operating pressure (bar)

#### Jato-Düsenbau AG

Täschmattstrasse 23, CH-6015 Luzern, Switzerland, Tel: +41 41 269 88 30 Fax: +41 41 269 88 31 www.jato.ch info@jato.ch

VER.03/16