



HOLLOW CONE NOZZLE HKA

The spray pattern of the nozzle enables uniform distribution of the spray medium in the outer area of a conical surface. Thanks to the particular spray geometry the nozzle is used where a medium is sprayed uniformly on an annular surface or where volatile medium, e.g. dust, has to be hold down.

STANDARD – SPRAY ANGLE

60°, 90°, 120°
other angles on request.

HOLLOW CONE



POSSIBLE APPLICATIONS

air – and gas washing
cleaning systems
tank cooling
foam control
dust control

FIELD OF APPLICATION

steel production
food industry
chemistry
pharma
power technology

AVAILABLE IN THE FOLLOWING MATERIALS

Stainless Steel

1.4435 (X2 CrNiMo 18-14-3)

Plastics

*PVC (polyvinyl chloride)
*PTFE with glass fibers (polytetrafluorethylene)
*POM (polyoxymethylene)
*PP (polypropylene)
*not available for type **VKA 01**

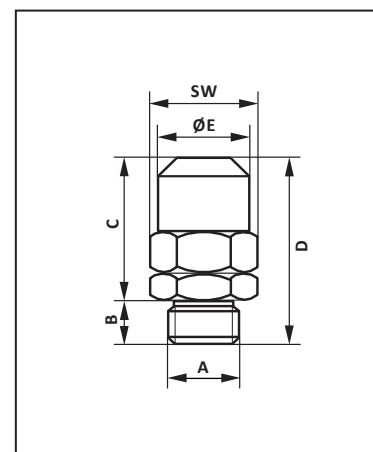
Non-ferrous material

brass

Other material on request.

DIMENSIONS

Type	A	B	C	D	Ø E	SW
		mm	mm	mm	mm	mm
HKA01	R 1/8"	8	23.5	31.5	16	17
HKA02	R 1/4"	9	31	40	18/19	19/20
HKA03	R 3/8"	10	32.5	42.5	21	22
HKA04	R 1/2"	13	41	54	26	27
HKA05	R 3/4"	15	49	64	34	35/36
HKA06	R 1"	17	61	78	39/40	40/41
HKA07	R 1 1/4"	19	72	91	48	50/52
HKA08	R 1 1/2"	19	89	108	58	60
HKA09	R 2"	24	113	137	73	75
HKA10	R 2 1/2"	27	135	162	93	95
HKA11	R 3"	30	155	185	106	110



Jato-Düsenbau AG

Täschmattstrasse 23, CH-6015 Luzern, Switzerland, Tel: +41 41 269 88 30 Fax: +41 41 269 88 31 www.jato.ch info@jato.ch

VER.03/16



HOLLOW CONE NOZZLE HKA

CAPACITY CHART OF HOLLOW CONE NOZZLE

capacities in l/min of water by following pressures

type	thread	1 bar	2 bar	3 bar	4 bar (Test pressure)	6 bar	8 bar	10 bar
HKA 01	R 1/8"			0.20	0.23	0.28	0.33	0.36
		0.27	0.38	0.47	0.54	0.66	0.76	0.85
		0.40	0.57	0.69	0.80	0.98	1.13	1.26
		0.60	0.85	1.04	1.20	1.47	1.70	1.90
		0.85	1.20	1.47	1.70	2.10	2.40	2.70
HKA 02	R 1/4"	1.20	1.70	2.10	2.40	2.95	3.40	3.80
		1.50	2.10	2.60	3.00	3.70	4.20	4.70
		1.80	2.55	3.20	3.60	4.40	5.10	5.70
		2.50	3.50	4.30	5.00	6.10	7.10	7.90
		4.00	5.70	6.90	8.00	9.80	11.30	12.60
HKA 03	R 3/8"	5.20	7.30	9.00	10.40	12.70	14.70	16.50
		7.00	9.90	12.10	14.00	17.20	19.80	22.00
HKA 04	R 1/2"	8.80	12.40	15.20	17.50	21.50	24.80	27.70
		11.50	16.30	19.90	23.00	28.20	32.50	36.40
HKA 05	R 3/4"	14.50	20.50	25.00	29.00	35.50	41.00	46.00
		23.50	33.30	41.00	47.00	58.00	66.50	74.00
HKA 06	R 1"	30.00	42.50	52.00	60.00	73.50	85.00	95.00
		40.00	56.50	69.50	80.00	98.00	113.00	127.00
		58.00	82.00	101.00	116.00	142.00	164.00	183.00

other capacities on request.

FOR ORDERING WE NEED FOLLOWING INFORMATION

Field of application

medium to spray (viscosity)
fitting position / spray distance nozzle – spray area
temperature range
frequency range

Nozzle specification

type of material
desired spray angle
nozzle type
connection thread
desired capacity (l/min, l/h)
operating pressure (bar)

Jato-Düsenbau AG

Täschmattstrasse 23, CH-6015 Luzern, Switzerland, Tel: +41 41 269 88 30 Fax: +41 41 269 88 31 www.jato.ch info@jato.ch

VER.03/16