



FULL CONE NOZZLE L

FOR CONTINUOUS CASTING SYSTEMS

STANDARD – SPRAY ANGLE

45°, 50°, 55°, 60°, 65°, 80°, 90°

other angles on request



AVAILABLE IN THE FOLLOWING MATERIALS

Stainless Steel

1.4305 (X8 CrNiS 18-9)

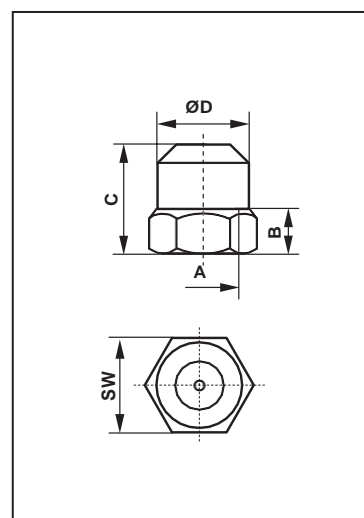
Non-ferrous metal

brass

other materials on request

DIMENSIONS

type	A	B mm	C mm	ØD mm	SW mm
L 02	R 1/4"	10	28	19	20
L 03	R 3/8"	11	26.5	21	22
L 04	R 1/2"	11	36	26	27
L 02	1/4"-18NPT	12	33	19	20
L 03	3/8"-18NPT	14	33	21	22





FULL CONE NOZZLE L

FOR CONTINUOUS CASTING SYSTEMS

CAPACITY CHART OF FULL CONE NOZZLE TYPE L

capacities in l/min of water by following pressures

type	thread	size	angle	2.8 bar (test pressure)	4 bar	6 bar	8 bar	10 bar	
L 02	R 1/4"	6050L	50°	6.00	7.20	8.80	10.15	11.35	
		2065L	65°	2.00	2.40	2.90	3.40	3.75	
		3065L	65°	3.00	3.60	4.40	5.10	5.65	
		4065L	65°	4.00	4.80	5.85	6.75	7.55	
		6065L	65°	6.00	7.20	8.80	10.15	11.35	
		3580L	80°	3.50	4.20	5.10	5.90	6.60	
		5080L	80°	5.00	6.00	7.30	8.45	9.45	
L 03	R 3/8"	7045L	45°	7.00	8.35	10.25	11.85	13.20	
		10045L	45°	10.00	11.95	14.60	16.90	18.90	
		6050L	50°	6.00	7.20	8.80	10.15	11.35	
		6055L	55°	6.00	7.20	8.80	10.15	11.35	
		2560L	60°	2.50	3.00	3.65	4.20	4.70	
		2760L	60°	2.70	3.20	3.95	4.55	5.10	
		3060L	60°	3.00	3.60	4.40	5.10	5.65	
		3560L	60°	3.50	4.20	5.10	5.90	6.60	
		16560L	60°	16.50	19.70	24.15	27.90	31.20	
		1565L	65°	1.50	1.80	2.20	2.55	2.85	
		2065L	65°	2.00	2.40	2.90	3.40	3.75	
		2565L	65°	2.50	3.00	3.65	4.20	4.70	
		3065L	65°	3.00	3.60	4.40	5.10	5.65	
		3565L	65°	3.50	4.20	5.10	5.90	6.60	
3865L	65°	3.80	4.50	5.60	6.40	7.20			
4065L	65°	4.00	4.80	5.85	6.75	7.55			
4565L	65°	4.50	5.40	6.60	7.60	8.50			
4765L	65°	4.70	5.60	6.90	7.95	8.90			
5065L	65°	5.00	6.00	7.30	8.45	9.45			
5565L	65°	5.50	6.60	8.05	9.30	10.40			
6065L	65°	6.00	7.20	8.80	10.15	11.35			
6565L	65°	6.50	7.80	9.50	11.00	12.30			
6665L	65°	6.60	7.90	9.70	11.15	12.45			
7065L	65°	7.00	8.35	10.25	11.85	13.20			

other capacities on request

FOR ORDERING WE NEED FOLLOWING INFORMATION

Field of application

medium to spray (viscosity)
fitting position / spray distance nozzle – spray area
temperature range
frequency range

Nozzle specification

type of material
spray angle
nozzle type
connection thread
capacity (l/min, l/h)
operating pressure (bar)

Jato-Düsenbau AG

Täschmattstrasse 23, CH-6015 Luzern, Switzerland, Tel: +41 41 269 88 30 Fax: +41 41 269 88 31 www.jato.ch info@jato.ch

VER.03/16

FULL CONE NOZZLE L



FULL CONE NOZZLE L

FOR CONTINUOUS CASTING SYSTEMS

CAPACITY CHART OF FULL CONE NOZZLE TYPE L

capacities in l/min of water by following pressures

type	thread	size	angle	2.8 bar (test pressure)	4 bar	6 bar	8 bar	10 bar		
L 03	R 3/8"	7265 L	65°	7.20	8.60	10.50	12.20	13.60		
		7365 L	65°	7.30	8.70	10.70	12.35	13.80		
		7565 L	65°	7.50	8.95	10.95	12.65	14.15		
		8065 L	65°	8.00	9.60	11.70	13.50	15.10		
		8565 L	65°	8.50	10.15	12.40	14.35	16.05		
		9565 L	65°	9.50	11.35	13.90	16.05	17.95		
		10065 L	65°	10.00	11.95	14.60	16.90	18.90		
		12065 L	65°	12.00	14.30	17.60	20.30	22.65		
		14665 L	65°	14.60	17.45	21.35	24.65	27.60		
		17065 L	65°	17.00	20.30	24.90	28.75	32.10		
				2080 L	80°	2.00	2.40	2.90	3.40	3.75
				3080 L	80°	3.00	3.60	4.40	5.10	5.65
				3580 L	80°	3.50	4.20	5.10	5.90	6.60
				4080 L	80°	4.00	4.80	5.85	6.75	7.55
				4580 L	80°	4.50	5.40	6.60	7.60	8.50
				5080 L	80°	5.00	6.00	7.30	8.45	9.45
				6080 L	80°	6.00	7.20	8.80	10.15	11.35
				8080 L	80°	8.00	9.60	11.70	13.50	15.10
		8580 L	80°	8.50	10.15	12.40	14.35	16.05		
		9880 L	80°	9.80	11.70	14.30	16.55	18.50		
		10280 L	80°	10.20	12.20	14.90	17.25	19.25		
		10680 L	80°	10.60	12.70	15.50	17.90	20.05		
		11080 L	80°	11.00	13.15	16.10	18.60	20.80		
		11880 L	80°	11.80	14.10	17.30	19.95	22.30		
		12980 L	80°	12.90	15.40	18.90	21.80	24.40		
		15080 L	80°	15.00	17.90	21.95	25.35	28.35		
		16080 L	80°	16.00	19.10	23.40	27.05	30.25		
		2590 L	90°	2.50	3.00	3.65	4.20	4.70		
		3090 L	90°	3.00	3.60	4.40	5.10	5.65		
		3890 L	90°	3.80	4.50	5.60	6.40	7.20		
		4090 L	90°	4.00	4.80	5.85	6.75	7.55		

other capacities on request

FOR ORDERING WE NEED FOLLOWING INFORMATION

Field of application

medium to spray (viscosity)
fitting position / spray distance nozzle – spray area
temperature range
frequency range

Nozzle specification

type of material
desired spray angle
nozzle type
connection thread
desired capacity (l/min, l/h)
operating pressure (bar)

Jato-Düsenbau AG

Täschmattstrasse 23, CH-6015 Luzern, Switzerland, Tel: +41 41 269 88 30 Fax: +41 41 269 88 31 www.jato.ch info@jato.ch

VER.03/16

FULL CONE NOZZLE L



FULL CONE NOZZLE L

FOR CONTINUOUS CASTING SYSTEMS

CAPACITY CHART OF FULL CONE NOZZLE TYPE L

capacities in l/min of water by following pressures

type	thread	size	angle	2.8 bar (test pressure)	4 bar	6 bar	8 bar	10 bar	
L 03	R 3/8"	4690L	90°	4.60	5.50	6.75	7.75	8.70	
		5090L	90°	5.00	6.00	7.30	8.45	9.45	
		5590L	90°	5.50	6.60	8.05	9.30	10.40	
		6090L	90°	6.00	7.20	8.80	10.15	11.35	
		6590L	90°	6.50	7.80	9.50	11.00	12.30	
		7490L	90°	7.40	8.85	10.85	12.50	14.00	
		9090L	90°	9.00	10.75	13.15	15.20	17.00	
		10090L	90°	10.00	11.95	14.60	16.90	18.90	
		11090L	90°	11.00	13.15	16.10	18.60	20.80	
		2090L	90°	12.00	14.30	17.60	20.30	22.70	
L 04	R 1/2"	2065L	65°	2.00	2.40	2.90	3.40	3.75	
		13680L	80°	13.60	16.25	19.90	23.00	25.70	
		12090L	90°	12.00	14.30	17.60	20.30	22.65	
		15090L	90°	15.00	17.90	21.95	25.35	28.35	

other capacities on request

FOR ORDERING WE NEED FOLLOWING INFORMATION

Field of application

medium to spray (viscosity)
fitting position / spray distance nozzle – spray area
temperature range
frequency range

Nozzle specification

type of material
desired spray angle
nozzle type
connection thread
desired capacity (l/min, l/h)
operating pressure (bar)

Jato-Düsenbau AG

Täschmattstrasse 23, CH-6015 Luzern, Switzerland, Tel: +41 41 269 88 30 Fax: +41 41 269 88 31 www.jato.ch info@jato.ch

VER.03/16

FULL CONE NOZZLE L